

BREATHE HEALTHIER
GeneralAire[®]



CATALOG

Residential
Indoor Air Quality Products

Breathe Healthier



Table of Contents

Steam Humidifier	4-5
Evaporative Humidifiers	6-7
Evaporative Humidifiers	8-9
Dehumidifiers	10-11
MAC Air Cleaners	12-13
AC, HEPA, & TERSus Air Cleaners	14-15
ERV / HRV	16-17
UV Air Purifiers	18-19
Vapor Pads, Solenoid Valves, & Controllers	20-21
Air Cleaner Media	22-23

Breathe In The Difference

Breathe Healthier

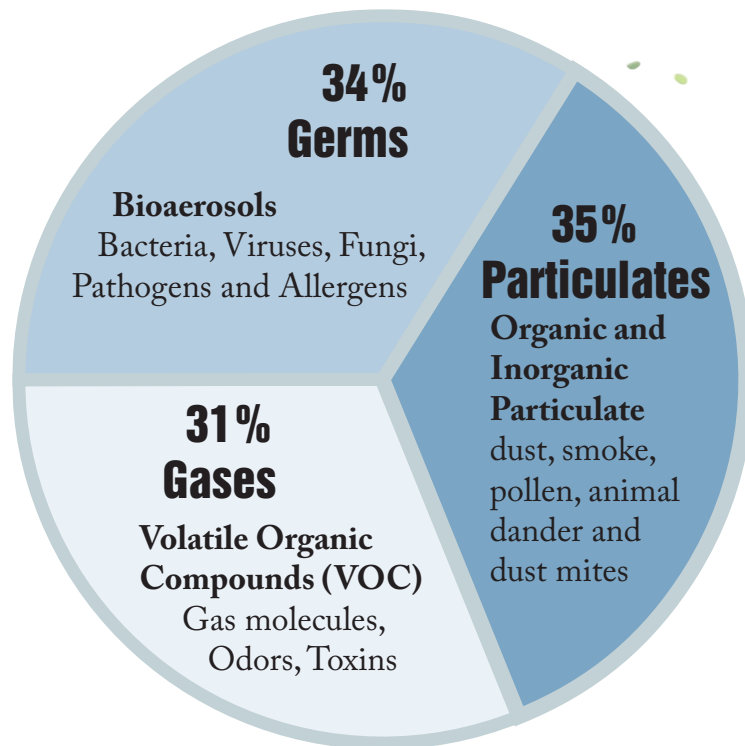
1937
1937

The Good News About Indoor Air Quality

Fact: The air we breathe indoors is 2 to 5 times more polluted than the air we breathe outdoors, and the average person spends 90% of their time *indoors*.

The Center for Disease Control and Prevention categorizes indoor air pollution into three main categories:

- 35% of allergic reactions are caused by **Particulates**.
- 34% of allergic reactions are caused by **Germs**.
- 31% of allergic reactions are caused by chemical **Gases**



Improper humidity levels, dangerous gas molecules, mold spores, germs, and microscopic particulates all affect our long-term health and comfort.

The good news is that you can control indoor air quality with humidity control, filtration, UV air purification, and ventilation; products offered by General Filters, Inc., under the brand names GeneralAire® and Second Wind™.

BREATHE HEALTHIER
GeneralAire®

Steam Humidifier Model 5500



Duct Mounting Kit Included



5500

Order Number	GFI #5580
Type	Self contained immersed electrode; drain pump design; ducted
GPD	Up to 28.5
Home Size (Sq. Ft.)	5500
Capacity / VAC / kW	5.5 Lbs / Hr (2.5kg/h) / 115VAC 1-phase 50-60Hz / 1.86 kW 12 Lbs / Hr (5.4kg/h) / 230VAC 1-phase 50-60Hz / 4.05 kW
Power	115V / 230V (Internal Switch) (20 AMP External Circuit Breaker)
Electrode Power Cables	12 AWG
Power Relays	2 - 30 Amp On Board
Ground Connection	Screw
Warranty	5 Years
Unit Size (Inches)	21 H x 13.5 W x 8.25 D
Weight (Pounds) / Pallet Size	16 / 16
Replacement Steam Cylinder	Model 55 (GFI #7746)
Controls	GFX4 Digital (GFI #7170) Included
Conductivity Range	125 to 1250 µs/cm
Water Fill Connection	1/4" O.D. Compression Adapter to 3/4" BSP
Water Fill - Instant Flow	0.09 - 0.16 gpm (0.35 - 0.60 l/min)
Input Water Type	Potable water (no demineralized or softened water)
Drain Connection	.75" diameter spout for hose
Drain Water Temperature	< 140° (< 60° C)
Drain Flow	Initial Max drain rate using 1/4" OD supply tubing and full cylinder – approx 1.1 gallons for first 15 seconds of drain cycle (~4.4 gpm (13.2 l/min)). Average drain rate – 3.8 gpm (14.4 l/min) (measured over a one minute period starting with full cylinder).
Embedded Fan Flow	71 cfm (120 m³/hr)
Serial Communication	DS485
Steam Distribution	Steam Manifold
Typical Installation	For newer homes up to 5,500 square feet and a 115V or 230V power supply.
In The Box	Steam Humidifier, GFX4 Automatic Digital Control, Installation Manual, Installation/Mounting Screws, Power Wire Clamps, Mounting Straps, Installation Kit.

Steam Humidifier

Features

- Electrode Steam Generating Technology
- One Cylinder for Regular & Low Water Conductivity
- 115 V to 230V Via Internal Switch
- Spark-Plug Style Wire Connectors
- Drain Pump Design
- Digital Automatic Humidistat
- Enhanced LCD User Interface
- Drain Tempering
- AHU Fan Relay
- Mounting Kit
- Metal Mounting Straps
- One-Screw Cover Removal
 - Screw Permanently Affixed to Cover
- Duct Mounting Kit
- The **NEW** GFX4 - Controls the Furnace Blower Motor
- Five-Year Warranty

Accessories

- 115 V RMB15 (**GFI #7665**) & 230V RMB35 (**GFI #7660**) Room Steam Kits

Support on www.GeneralFilters.com

- Installation Manual
- Brochures
- Spec Sheets
- Parts Drawings
- Sizing

Maintenance

- Replace the steam cylinder at the start of each heating season, or more often with higher run times.



GFX4 Digital Automatic Humidistat (Included)

Now Controls the Furnace Blower Motor



Duct Mounting Kit



Room Steam Kit

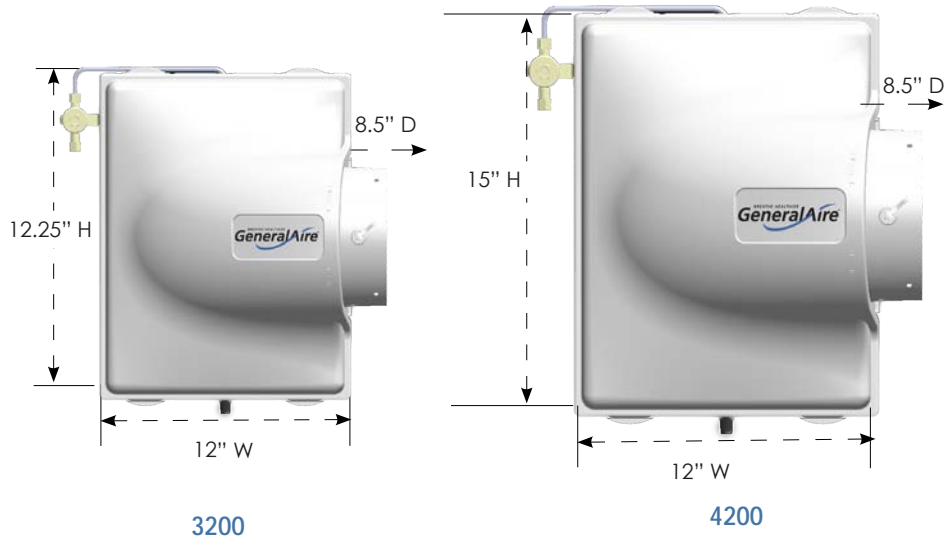


Steam Cylinder
Model 55
GFI #7170

BREATHE HEALTHIER
GeneralAire[®]

Evaporative Humidifiers

Bypass



	3200	4200
Order Number (Includes MHX3C Manual Humidistat)	GFI #5800	GFI #5950
Order Number (Includes GFX3 Digital Automatic Humidistat)	GFI #5801	GFI #5951
Type	Evaporative Humidifier	
Home Size (Sq. Ft.)	Up To 3,200	Up To 4,200
GPD (Based on 120° Plenum Temperature)	Up To 12	Up To 17
Dimensions (Inches; HxWxD)	12.25 x 12 x 8.5	15 x 12 x 8.5
Weight (Pounds)	7	8
Replacement Vapor Pad® (Replace Once Per Season)	GA10 (GFI#7900)	GA35 (GFI#7902)
Installation	Warm Air / Return Air Plenum / Right or Left Side	
Plenum Opening (Inches)	9.125 x 9.125	9.125 W x 12 H
Bypass Opening (Inches)	6	
Pallet Quantity	36	32
Cabinet Construction	UV-Stable Automotive Grade Plastic	
Humidistat	MHX3C Standard / GFX3 Special Order	
Voltage (Volts)	24	
Warranty (Years)	5	
Typical Installation	For Newer homes up to 3,200 square feet and homes with a forced-air heating system.	For Newer homes up to 4,200 square feet and homes with a forced-air heating system.
In The Box	Humidifier, Humidistat, Control Bypass Damper, 24V Transformer, Solenoid Valve, Vapor Pad®, Saddle Valve, (GCV3412 Code Valve - A Models), Installation Manual, Template, Parts.	

Evaporative Humidifiers

Bypass

Features

- Greater Humidity Output With Lower-Plenum Temperatures and High-Efficiency Furnaces Through:
 - Redesigned Low-Profile Cover Forces Air Directly Through Vapor Pad® at its Warmest Point
 - Redesigned Distributor Trough Provides Even Saturation of Vapor Pad®
 - Redesigned Vapor Pad® Frame Covers Less of the Pad For Greater Exposure and Output
- Stainless Steel Water Supply Tube
- UV stable Automotive-Grade Plastics
- Durable Frame
- Automatic Or Manual Control Options
- Easy Access Lift-Off Cover
- Mount Left Or Right
- Five-Year Warranty

Accessories

- Water Savor™ Controller (**GFI #7081**)
(Flow Through, Bypass Models Only)

Support on www.GeneralFilters.com

- Installation Videos
- Maintenance Videos
- Installation Manuals
- Brochures
- Spec Sheets
- Parts Drawings
- Sizing

Maintenance

- Replace the Vapor Pad® at the start of each heating season.
- Check distribution trough, drain pan, and other components for sediment. If found, clean with vinegar/water solution.



MHX3
Manual Humidistat
Included



GFX3
Digital Automatic
Humidistat
Special Order



Water Savor Controller
Reduce water use by a
minimum of 50%

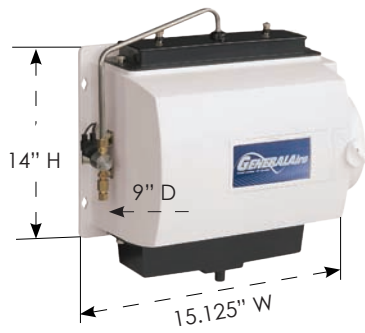


Ensure the black mark of the
new Vapor Pad® is on the top
when inserting into the frame.



Evaporative Humidifiers

Bypass & Fan Powered



1042LH



1099LHS



1137

	1042LH	1099LHS	1137
Order Number	GFI #5144	GFI #5015	GFI #5137
Type	Bypass Evaporative		Fan Powered Evaporative
Capacity (GPD; Based on 120° Plenum Temperature)	17	19	18
Dimensions (Inches H x W x D)	14 x 15.125 x 9	16 x 16 x 12.25	14 x 16 x 11
Weight (Pounds)	13	15	19
Replacement Vapor Pad® (Replace Every Year)	990-13 (GFI #7002)	1099-20 (GFI #7047)	990-13 (GFI #7002)
Home Size (Square Feet)	To 2,800	To 3,000	To 3,000
Installation	Warm Air / Return Air Plenum / Right of Left Side		Warm Air Plenum
Plenum Opening (Inches)	13.625 W X 9.5 H	14.125 W X 12 H	15 W X 9.75 H
Bypass Opening (Inches)	6	7	NA
Pallet Quantity	30	16	21
Cabinet Construction	UV-Stable Automotive Grade Plastic		
Humidistat (M/A Models)	MHX3C		
Voltage (Volts)	24		120
Replacement Solenoid Valve	990-53 (GFI #7014)	1099-42 (GFI #7052)	990-53 (GFI #7014)
Replacement Orifice & Strainer Screen Assembly	990-37-76 (Std.) (GFI #7008) 990-37-75 (Low) (GFI #7009)	990-37-75 (Std.) (GFI #7009) 990-37-74 (Low) (GFI #7011)	990-37-76 (Std.) (GFI #7008) 990-37-75 (Low) (GFI #7009)
Replacement Strainer Screen	990-17 (GFI #7005)	990-17 (GFI #7005)	NA - Assembly Only
Warranty (Years)	5		
In The Box	Humidifier, Humidistat, Installation Manual, Vapor Pad®, Parts Kit, Solenoid Valve, Saddle Valve, Transformer, 15' of 625" Diameter Drain Hose, Drain Pan,	Humidifier, Humidistat, Installation Manual, Vapor Pad®, Parts Kit, Solenoid Valve, Saddle Valve, 7" Connecting Collar, 15' of .5" Diameter Drain Hose, 24V Transformer	Humidifier, Humidistat, Installation Manual, Vapor Pad®, Parts Kit, Water Tube Kit, Humidistat Wire, Drain Pan, Power Supply Cord, 15' of 625" Diameter Drain Hose, Solenoid Valve, Saddle Valve
Typical Application	For newer homes up to 2,800 square feet and homes with a forced-air heating system	For newer homes up to 3,000 square feet and homes with a forced-air heating system	For newer homes up to 3,000 square feet and homes with a forced-air heating system; on the warm air plenum

Evaporative Humidifiers

Bypass & Fan Powered



Features

- UV Stable Automotive-Grade Plastics
- Durable Frame
- Manual Control Included
- Easy Access Lift-Off Cover
- Mount Left Or Right
- Five-Year Warranty



MHX3C
Manual Control Humidistat
Included

Accessories

- Water Savor™ Controller (**GFI #7081**)
(Flow Through, Bypass Models Only)



Water Savor Controller
Reduce water use by a
minimum of 50%

Support on www.GeneralFilters.com

- Maintenance Videos
- Installation Manual
- Brochure
- Spec Sheets
- Parts Drawings
- Sizing

Maintenance

- Replace the Vapor Pad® at the start of each heating season.
- Check distribution trough, drain pan, and other components for sediment. If found, clean with vinegar/water solution.



Ensure the black mark of the new Vapor Pad® is on the top when inserting into the frame.



Intertek
1137 only

BREATHE HEALTHIER
GeneralAire®

Dehumidifiers - Wi-Fi & Touch Screen Control



	DH75	DH100
Order Number	GFI #5333	GFI #5334
Type	Crawl Space / Whole House	Whole House
Capacity	Up To 75 Pints Per 24 Hours @ 80°F / 27°C - 60% RH	Up To 100 Pints Per 24 Hours @ 80°F / 27°C - 60% RH
Weight (Pounds)	58	65
Dimensions (Inches H x W x D)	12.75 x 12.6 x 21	15.75 x 12.6 x 21
Home Size (Square Feet)	3,800	5,200
Control	Wi-Fi & Touch Screen Control	
Power Supply	120VAC, 60Hz	120VAC, 60Hz
Energy Factor (liters/kwh)	2.0	1.86
Current Draw (Amps)	6.2	8.8
Inlet Air Operating Temperature	50°F - 90°F / 10°C - 32°C	
Control Board Display Temperature	-4°F - 158°F operating / -22°F - 176°F storage -20°C - 70°C operating / -30°C - 80°C storage	
Replacement Filter (Replace Every 6 Months)	GFI #7143 MERV 11 Pleated Filter; 10 x 12 x 1	GFI #7144 MERV 11 Pleated Filter; 12 x 12 x 1
Cabinet Insulation	Foil-faced fiberglass 1/2" thick & closed cell foam	Foil-faced fiberglass 1/2" thick & closed cell foam
Duct Connections (Inches)	8 Diameter (Inlet & Outlet)	10 Diameter (Inlet & Outlet)
Drain Pan	Heavy Duty, Injection Molded	
Noise (dB)	Less Than 55 (Unducted)	
Warranty (Years)	5	
In the Box	Dehumidifier, Collars, Power Cord, Filter, Feet, Level, Trap, Installation Manual	
Typical Application	Crawl Space, Attic, Basement; Ducted or Unducted	

Dehumidifiers - Wi-Fi & Touch Screen Control

Features

- Wi-Fi & Touch Screen Control
- Low-Temperature Shutoff
- Duct Mount Collars
- Fan-Only Function
- Continuous Reconnect With Lost Wi-Fi Service
- MERV 11 Filter
- Integrated Handles
- Safety Grates
- Filter Hour Indicator
- Small Footprint
- Lightweight
- Five-Year Warranty



10" Collars Included
With DH100

8" Collars Included
With DH75

Accessories

- Hanging Kit (**GFI #6560**)
- Bracket (For Attaching Pump) (**GFI #7147**)
- WHD15 - 8" Motorized Damper Kit (**GFI #7450**)

APP

- Download the GeneralAire® Wi-Fi APP (Smart Device Not Included) Find on Google Play & Your Smart Device APP Store



GeneralAire
Wi-Fi APP

Support on www.GeneralFilters.com

- Installation Manual
- Brochures
- Spec Sheets
- Parts Drawings
- Visit our website for a complete library of help topics. Click on Support/Help Topics/Dehumidifier Help Topics.

Maintenance

- Replace the MERV 11 filter once every 6 to 12 months.
- Check drain pan, and other components for buildup or blockage. If present, clean with vinegar/water solution.



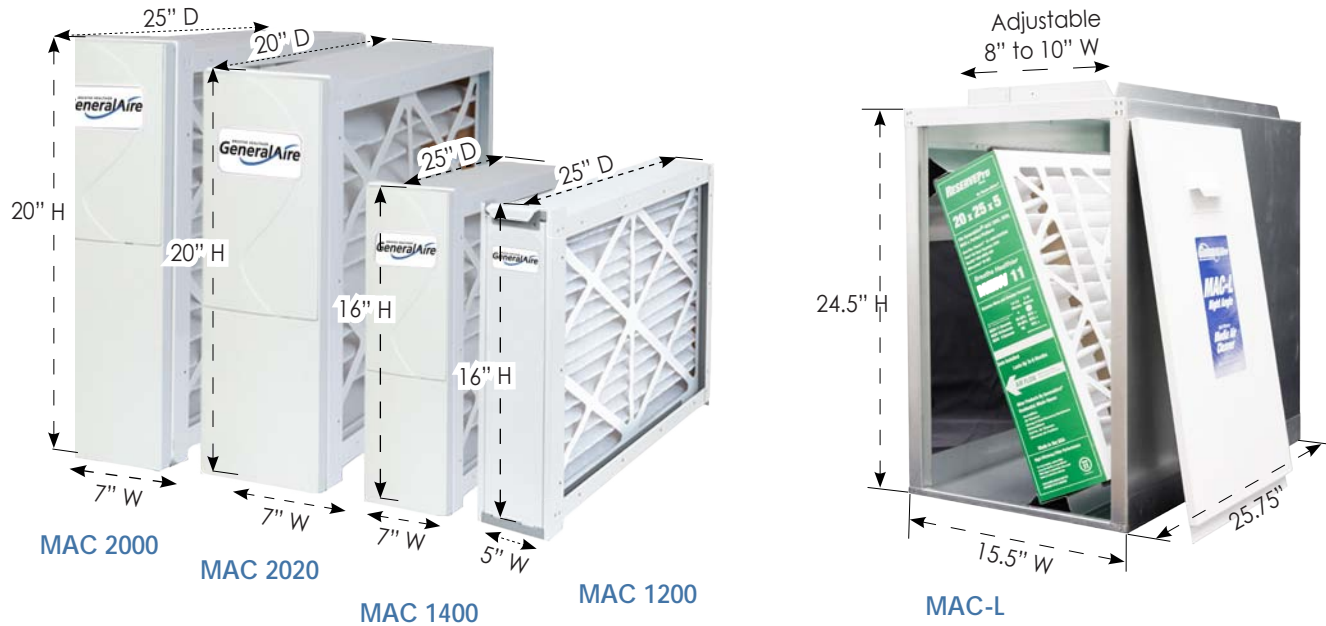
GFI #7143
For DH75

GFI #7144
For DH100



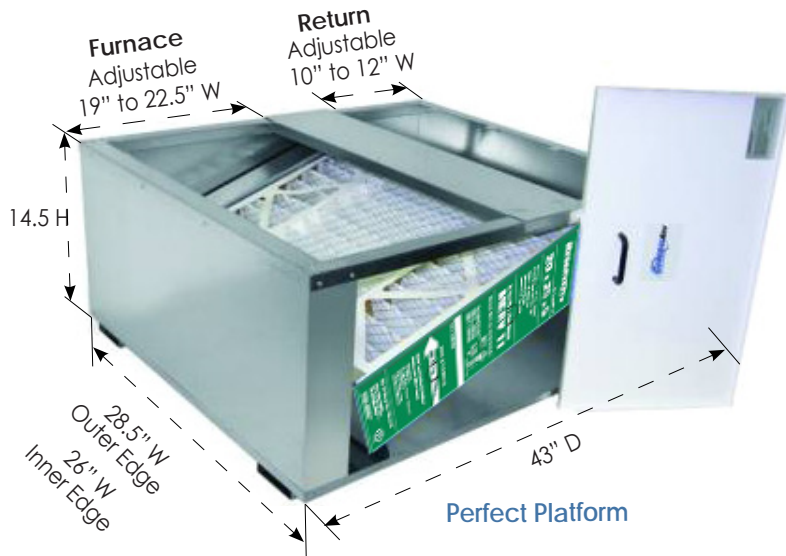
BREATHE HEALTHIER
GeneralAire®

Air Cleaners - MAC



	MAC 2000	MAC 2020	MAC 1400	MAC 1200	MAC-L	PERFECT PLATFORM
Order Number	GFI #4500	GFI #4530	GFI #4510	GFI #4520	GFI #4540	GFI #4545
Type	Cartridge	Cartridge	Cartridge	Cartridge	Cartridge	Cartridge
Dimensions (Inches H x W x D)	20 x 25 x 7	20 x 20 x 7	16 x 25 x 7	16 x 25 x 5	24.5 x 25.75 x 15.5	28 x 43 x 14.5
Weight (Pounds)	15	15	14	11	32	58
Pallet Quantity	16	16	16	20	8	6
MERV Rating	11	11	11	8	11	11
Initial Pressure Drop	.28 in w.c.	28 in w.c.	28 in w.c.	16 in w.c.	26 in w.c.	2 in w.c.
Replacement Filter (Replace Every 6 Months)	6FM2025 (GFI #4551)	6FM2020 (GFI #4556)	6FM1625 (GFI #4541)	3FM1625 (GFI #4521)	6FM2025 (GFI #4551)	6FM2025 (GFI #4551)
Minimum Ave. Efficiency 1.0 to 3.0 Microns	75%	75%	75%	53.1%	75%	75%
Air Flow (CFM)	2000	1400	1400	1200	2000	2000
Warranty (Years)	10					
In the Box	Air Cleaner, Filter, Installation Manual					
Typical Application	Inline	Inline	Inline	Inline	Inline (Right Angle)	Flat (Below Furnace)

Air Cleaners - MAC



GFI #4551
For MAC
2000, MAC-
L, & Perfect
Platform

**GFI
#4556**
For MAC
2020

**GFI
#4541**
For MAC
1400

**GFI
#4521**
For MAC
1200

Features

- Snap Action Thermoplastic Molded Doors (MAC 1200, 1400, 2000, 2020)
- Easy Lift & Tilt Doors (MAC-L, Perfect Platform)
- Space Saving (MAC-L, Perfect Platform)
- Ten-Year Warranty

Support on www.GeneralFilters.com

- Maintenance Videos
- Installation Manuals
- Brochures
- Spec Sheets
- Parts Drawings

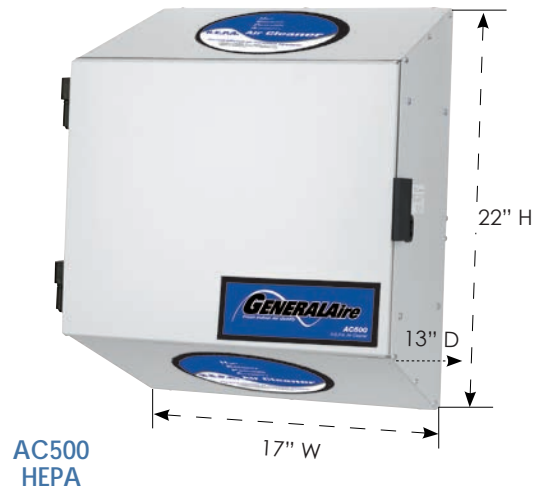
Model	CFM (fmp)							
	600	800	1000	1200 (369)	1400	1600	1800	2000
MAC 1200	0.05	0.08	0.12	0.16				
MAC 1400	0.07	0.11	0.16	0.22	0.28			
MAC 2000	0.04	0.06	0.08	0.11	0.14	0.17	0.21	0.26
MAC 2020	0.07	0.11	0.16	0.22	0.28			
MAC-L	0.04	0.06	0.08	0.11	0.14	0.17	0.21	0.26
Perfect Platform	0.04	0.06	0.08	0.11	0.14	0.17	0.21	0.26

Maintenance

- Replace the filter once every 6 to 12 months.



Air Cleaners - AC, HEPA



	AC 22	AC24	AC-500 HEPA
Order Number	GFI #4422	GFI #4424	GFI #4600
Type	Expandable Media	Expandable Media	Cartridge
MERV	11	11	HEPA
Rated Air Flow (CFM)	2000	2000	2000
Dimensions (Inches H x W x D)	22.125 x 10 x 25.563	17.75 x 10 x 27.938	22 x 17 x 13
Weight (Pounds)	32	34	20
Inlet Duct Opening (Inches)	19.813 x 21.813	15.438 x 23.813	8
Outlet Duct Opening (Inches)	19.813 x 22	15.438 x 24.5	8
Filter Area (Sq. Ft.)	77.1	72.3	NA
Power		NA	120 VAC @ 60 Hz
Amps		NA	1.5A
Operation	Air Flow From Furnace Through Air Cleaner		
Replacement Filter (1. Replace every 6-12 months) (2. Replace every 2 years)	12758 (GFI #4001)	401 - 13156 (GFI #4051)	1 RHF562 HEPA Filter (GFI #4620) 2. ARK564 Annual Kit (2) (GFI #4610)
Installation	Return Air Duct	Return Air Duct	Return Air Duct
Pallet Quantity	10	10	20
Warranty (Years)	10		5
In the Box	Air Cleaner, Filter, Pleat Spacers, Installation Manual		Air Cleaner, Filters, Installation Manual
Typical Application	Inline	Inline	Duct (bypass) or Wall (remote)

Features

AC Air Cleaners

- Built-In Filter Change Indicator
- Ten-Year Warranty

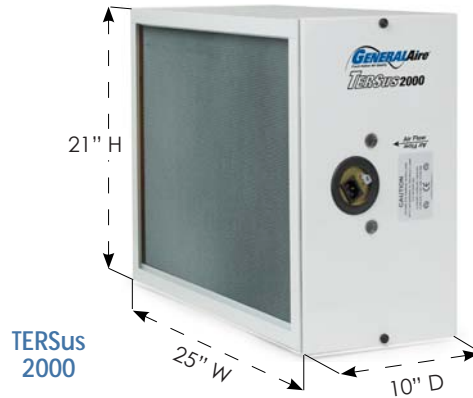


AC500 - HEPA Air Cleaner

- 2-Speed Motor
- Child Safety Switch
- Easy-Open Door Latch
- Five-Year Warranty



Air Cleaners - TERSus



	TERSus 1200	TERSus 2000
Order Number	GFI #4570	GFI #4560
Capacity	(1.5 to 3.0 Tons)	(3.5 to 5.0 Tons)
Dimensions (Inches H x W x D)	17 x 25 x 10	21 x 25 x 10
Power	120V/60 Hz .6 Amps 49.2 Watts	120V/60 Hz .6 Amps 49.2 Watts
Fuse	Replace Only With AGC-2	Replace Only With AGC-2
Max Face Velocity (FPM)	500	625
Max Air Flow (CFM)	1200	2000
Replacement Lamp (Replace Annually)	LT016 (GFI #4564) (2 Required)	LT016 (GFI #4564) (2 Required)
Replacement Filter (Replace Every 6-12 Months)	MERV 13 FIO21 (GFI #4572)	MERV 13 FIO20 (GFI #4562)
U. V. Range (NM)	254	254
U. V. Type	Germicidal	Germicidal
Catalyst	Metal Oxides 56 Sq. Feet	Metal Oxides 70 Sq. Feet
Weight (Pounds)	23	36
Pallet Quantity	10	10
Warranty (Years)	5	
In the Box	Air Cleaner, Filter, UV Lamps, Power Cord, Installation Manual	
Typical Application	3 Ton Drive Air Handler / Furnace	5 Ton Drive Air Handler / Furnace

Features

- Photocatalytic Oxidation, Filtration, And UV Air Purification
- Five-Year Warranty
- ETL Rating



Support on www.GeneralFilters.com

- Maintenance Videos
- Installation Manuals
- Brochures
- Spec Sheets
- Parts Drawings

Maintenance

- Replace filters and lamps as recommended.
- TERSus: Be sure unit is turned off during lamp installation or replacement. Do not look directly at lamps that are on. Do not touch lamps with bare hands.



Energy / Heat Recovery Ventilators



	ERV 3160	ERV 3220	HRV 8160	HRV 8220
Order Number	GFI #4670	GFI #4675	GFI #4660	GFI #4665
Dimensions (Inches H x W x D)	21.5 x 11.375 x 23.875	21.5 x 23.875 x 16.5	21.5 x 23.875 x 11.375	21.5 x 23.875 x 16.5
CFM	30 to 160	50 to 220	30 to 160	50 to 220
Type Of Exchanger	Cross-Flow (Enthalpic)	Cross-Flow (Enthalpic)	Cross-Flow (Polypropylene)	Cross-Flow (Polypropylene)
Exchange Surface	85 ft ²	127 ft ²	104 ft ²	150 ft ²
Weight (Pounds)	58	72	53	65
Pallet Quantity	12	9	12	9
Voltage	120 VAC @ 60 Hz	120 VAC @ 60 Hz	120 VAC @ 60 Hz	120 VAC @ 60 Hz
Amperage (Amps)	1.5	1.5	1.5	1.5
Power Consumption (Watts)	130	150	130	150
Net Airflow @ .20 in. wg.	74%	72%	78%	74%
Defrost Type	Exhaust	Exhaust	Exhaust	Exhaust
Replacement Prefilter	100328 Media Pads (GFI #4663)	100329 Media Pads (GFI #4667)	100328 Media Pads (GFI #4663)	100329 Media Pads (GFI #4667)
Replacement Core	101791 Enthalpy Core (GFI #4672)	101790 Enthalpy Core (GFI #4674)	101789 Poly Core (GFI #4662)	101788 Poly Core (GFI #4664)
Certification	HVI, cCSA _{US}	HVI, cCSA _{US}	HVI, cCSA _{US}	HVI, cCSA _{US}
Warranty (Years)	5 Electronics / 10 Motors / 5 Core		5 Electronics / 10 Motors / Lifetime Core	
In The Box	Unit, Power Cord, 4 Collars, Drain Adapter With Nut, 4 Tie Wraps, Screws, 2 Flexible Vinyl Ducts, Condensation Drain Line, 4 Washers, SPM™ Attachment Strap System, Installation Manual.			
Typical Application	Incorporate into forced-air system or independent with dedicated duct system. Install nearest exterior wall.			

ERV / HRV



Features

- Proportional Defrost
- Sloped Drain Pan
- Optional Run Times
- Single Person Mounting
- High-Performance Motor
- Quiet Operation
- Five / Ten Year Warranty
- Insulated Cabinet
- Defrost Control
- Variable Two Speed Balancing Fan Motors

Accessories

- DC1 Control
- DC4E Control
- DHX3 Control
- TR3 Control



DC1
GFI #4680



DC4E
GFI #4685



DHX3
GFI #7175



TR3 TIMER CONTROL
GFI #4690

Support on www.GeneralFilters.com

- Maintenance Video
- Installation Manuals
- Brochures
- Spec Sheets
- Parts Drawings

Maintenance

- Clean the drain pan to gently remove any sediment or debris using a non-abrasive cloth with vinegar and water.
- Vacuum the two prefilters four times per year. Replace them once each year.
- Remove and vacuum the core once each year. Replace the core once every 5 years.

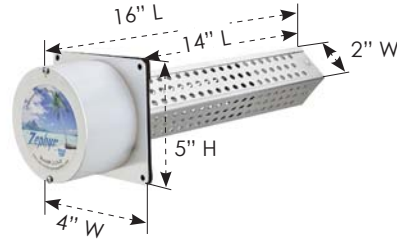


UV Air Purifiers - Duct Mount Models



MODEL 2000

Two high output UVC lamps produce the strongest germicidal field in the industry, while the PCO process removes odors.



MODEL 2124-Z (24V)

A highly effective odor control model that benefits from both the Singlet Oxygen System and our PCO process. Includes a two-year lamp.

Features

- Excellent Odor Control
- Reduces Germs, Bacteria, and Viruses
- Incorporates Photocatalytic Oxidation For Maximum Effectiveness

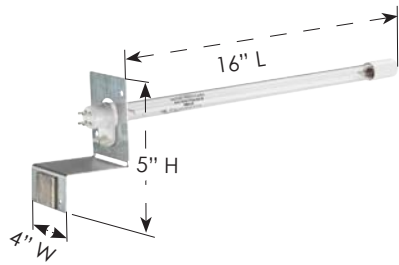
Maintenance

- Replace Lamp(s) Every 2 Years

MODEL ORDER #	2018 GFI #4918	2000 GFI #4919	2181 GFI #4923	2000-230 GFI #4907	2124-Z GFI #4904
SYSTEM CAPACITY (MAX SQ. FT.)	2.5t (1700 ft ²)	5t (4000 ft ²)	5t (4000 ft ²)	5t (4000 ft ²)	5t (4000 ft ²)
POWER REQUIREMENT	110V	110V	230V	230V	24V
AMPERAGE DRAW	0.7A	0.7A	0.3A	0.3A	0.9A
LINE CORD	120V	120V	240V	240V	HARD WIRE
STARTING	PLUG-IN	PLUG-IN	PLUG-IN	PLUG-IN	HARD WIRE
NUMBER OF LAMPS	1	2	2	2	1
LAMP SIZE	18"	18"	9"	18"	14"
DEVICE UV INTENSITY (mW/cm ²) 12" FROM SOURCE	1536	3072	1200	3072	703
ODOR CONTROL	•	•	•	•	•
PHOTO-CATALYTIC OXIDATION (PCO) MODULE	•	•	•	•	•
SINGLET OXYGEN SYSTEM (YIELDS RESIDUAL O ₃)					•
OPTIONAL FIBERGLASS DUCT BOARD PART NO.	102-950	102-950	102-950	102-950	INCLUDED
OPTIONAL SINGLET OXYGEN LAMP (YIELDS RESIDUAL O ₃)	1076R-03	1076R-03	N/A	1076R-03	N/A
REPLACEMENT LAMP(S)	1076-R (GFI #4948)	1076-R (GFI #4948)	1068B-R (GFI #4946)	1076-R (GFI #4948)	1082 SIPT (GFI #4941)
REPLACEMENT BALLAST	1060E-R (GFI #4964)	1060E-R (GFI #4964)	1060E-R (GFI #4964)	1060E-R (GFI #4964)	010303 (GFI #4961)

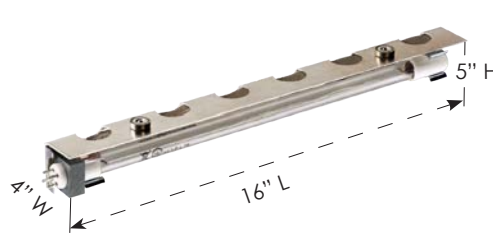


UV Air Purifiers - Coil Clean Models



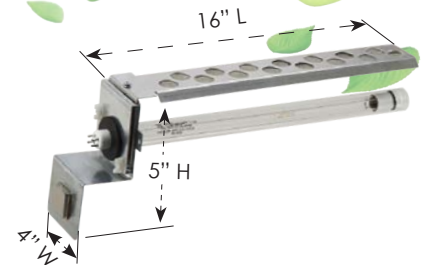
MODEL 2414

Our standard system used for coil and surrounding air disinfection. Sister part with O₃ suffix provides odor control.



MODEL 2414-FC

Magnetic mounts attached to the PCO module enable the lamp to be positioned securely to the fan coil blower housing.



MODEL 2414-PREMIUM

Designed with a ballast that includes a Lamp Change Alert. Install inside the air handler or through the walls of duct board and sheet metal.

Features

- Keeps Coils Clean
- Magnet Mount
- PCO Models Eliminate Odors

Support on www.GeneralFilters.com

- Installation Manual
- Brochures

MODEL ORDER #	2412-FC GFI #4922	2412-03-FC GFI #4921	2414 GFI #4925	2414-03 GFI #4917	2414-FC GFI #4920	2414-03-FC GFI #4916	2414-PREMIUM GFI #4901
POWER REQUIREMENT	24V						
AMPERAGE DRAW	0.9A						
LINE CORD	NO						
STARTING	HARD WIRE						
LAMP SIZE	12"	12"	14"	14"	14"	14"	14"
DEVICE UV INTENSITY (mW/cm ²) 12" FROM SOURCE	621	621	704	704	704	704	704
AIRBORNE AND SURFACE MOLD DISINFECTION	•	•	•	•	•	•	•
ATTACKS BACTERIA AND MICRO-ORGANISMS	•	•	•	•	•	•	•
ODOR CONTROL	•	•		•	•	•	•
PHOTO-CATALYTIC OXIDATION (PCO) MODULE	•	•			•	•	•
MAGNET MOUNTS	YES						
MOUNT TO FAN COIL HOUSING	•	•			•	•	
MOUNT TO DUCT BOARD/METAL DUCTING							•
SINGLET OXYGEN SYSTEM (YIELD RESIDUAL O ₃)		•		•		•	
SHIELDED LAMP FOR HIGH HUMIDITY INSTALLATION							•
REPLACEMENT LAMP	1083LR (GFI #4937)	1083LR-03 (GFI #4936)	1082LR (GFI #4951)	1082 SIPT (GFI #4941)	1082LR (GFI #4951)	1082 SIPT (GFI #4941)	102-959 (GFI #4953)
REPLACEMENT BALLAST	010090 (GFI #4962)	010090 (GFI #4962)	010090 (GFI #4962)	010090 (GFI #4962)	010090 (GFI #4962)	010090 (GFI #4962)	010303 (GFI #4961)



Replacement Vapor Pads & Solenoid Valves

Humidifier Vapor Pad®

- 7002** 990-13 Replacement pad for GeneralAire® Legacy Humidifier models 709, 990, 1040, 1042, 1137 and SL16
- 7047** 1099-20 Replacement pad for GeneralAire® (metal frame) Legacy Humidifier model 1099
Also fits GeneralAire® Elite model 950



Humidifier Vapor Pad®

- 7919** GA900 Replacement pad for Elite Humidifier 900 & 1000
- 7900** GA570 fits GeneralAire® Elite Humidifier 570
- 7923** GA23 Replacement pad for Elite Humidifier 950 & 1099LHS



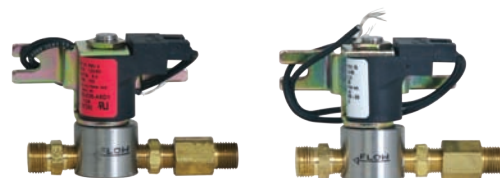
Humidifier Vapor Pad®

- 7905** GA10 fits **NEW** GeneralAire® model 3200; Aprilaire® models 110, 220, 558, 550 and 500; Honeywell models HE220 & HE225
- 7901** GA12 fits Aprilaire® models 224, 112, 440, 445A & 445
- 7902** GA35 fits **NEW** GeneralAire® model 4200; Aprilaire® models 350, 360, 568, 560, 600, 768, 760 & 700



Solenoid Valves

- 7014** 990-53 Solenoid Valve 24V for GeneralAire® 1042, 1137
- 7052** 1099-42 Solenoid Valve 24V for GeneralAire® 1099L/LH/R
- 7341** 1137-17 Solenoid Valve 115V for GeneralAire® 1137
For older models manufactured before July 2006
- 7221** GA4040 24V with stainless steel seat
For GeneralAire® Elite flow-through humidifiers
Fits Aprilaire® model humidifiers
Fits Honeywell model humidifiers
- 7225** 4200-05 24V Brass Solenoid Valve
For **NEW** GeneralAire® 3200 & 4200



Controls

Water Savor™ Controller

7081 Water Savor™ Controller

- Save a minimum of 50% water draining from your humidifier without reducing output
- Install with any new or previously-installed flow-through bypass humidifier model
- Do NOT install with fan-powered, steam, or drum style humidifiers



Scan to Purchase Online



Automatic Digital Humidistat

7050 GFX3 Automatic Digital Temperature Compensating Humidistat

- Wall or duct mount
- 24V
- 10% to 75% relative humidity control range
- Contemporary design
- Extremely accurate
- Can be used in manual or automatic mode
- Use in automatic mode by simply installing the outdoor temperature sensor
- Informative backlit display



7170 GFX4 ♦ With above specifications, but also controls the blower motor



Manual Control Duct or Wall Mount Humidistat

7038 MHX3C Manual Control Wall Mount Humidistat

- Manual mode operation
- Can be mounted on duct or wall (wall mount housing pre-installed)
- Contemporary design for living space mounting



Manual Control Duct or Wall Mount Dehumidistat

7175 DHX3C Manual Control Wall or Duct Mount De-Humidistat

- Manual mode operation
- Contemporary design for living space mounting
- Included in box:

GFI #7058 - Optional CRD3 Comfort Dial (to use as a humidistat)



BREATHE HEALTHIER
GeneralAire®

Air Filter Media

GeneralAire® MAC Series

4541 6FM1625 MERV 11 16 x 25 x 5 Media for MAC 1400, 2400 Models
Also fits TRION AirBear Supreme 1400, replaces TRION media part #255649-105. (Actual Dimension 16.125" x 24.25" x 4.938")

4551 6FM2025 MERV 11 20 x 25 x 5 Media for MAC 2000, 3000 Models, MAC-L and Perfect Platform. Also fits TRION AirBear Supreme 2000, replaces TRION media part #255649-102 (Actual Dimension 20.125" x 24.25" x 4.938")

4556 6FM2020 MERV 11 20 x 20 x 5 Media for MAC 2020
Also fits TRION AirBear Supreme 20x20; TRION media part #255649-103 (Actual Dimension 20.25" x 20.688" x 4.938")

4521 3FM1625 MERV 8 16 x 25 x 3 Media for MAC1200
(Actual Dimension 16" x 24.25" x 2.938")
Also fits TRION AirBear Cub
Replaces TRION media part #255649-101



GFI #4551
Standard Package: 6

GFI #4556
Standard Package: 3

GFI #4541
Standard Package: 6

GFI #4521
Standard Package: 10



Honeywell Series

4365 11-GA100A03 16 x 20 MERV 11 Media
Replaces Honeywell part #FC100A1003 (Actual Dimension 15.813" x 19.75" x 4.375")

4366 11-GA100A29 16 x 25 MERV 11 Media
Replaces Honeywell part #FC100A1029 (Actual Dimension 15.813" x 24.813" x 4.375")

4367 11-GA100A11 20 x 20 MERV 11 Media
Replaces Honeywell part #FC100A1011 (Actual Dimension 19.813" x 19.813" x 4.375")

4368 11-GA100A37 20 x 25 MERV 11 Media
Replaces Honeywell part #FC100A1037 (Actual Dimension 19.813" x 24.688" x 4.375")



GFI #4365
Standard Package: 5

GFI #4366
Standard Package: 5

GFI #4367
Standard Package: 3

GFI #4368
Standard Package: 3

Air Filter Media



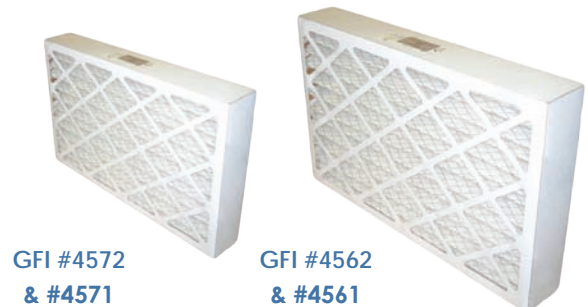
Replacement Filter Media

- 4050** 201-12880 MERV 11 Expandable Strung Media for Aprilaire® 2200. Standard Package: 9 (24.5" x 6.5" - 39 Pleats)
- 4051** 401-13156 MERV 11 Expandable Media for AC24, Aprilaire® 2400. Standard Package: 9 (27.25" x 6.25" - 32 Pleats)
- 4001** 12758 Micro Fiber MERV 11 Expandable Media for AC1, AC22. Standard Package: 9 (25" x 6" - 37 Pleats)
- 4401** 13415 Micro Fiber MERV 11 Expandable Media for AC4. Standard Package: 6 (25" x 6" - 29 Pleats)



TERSus Replacement Filter Media MERV 13 Standard

- 4572** MERV 13 F1021 16 X 25 X 4
 - 4571** MERV 11 F1018 16 X 25 X 4
 - 4562** MERV 13 F1020 20 X 25 X 4
 - 4561** MERV 11 F1016 20 X 25 X 4
- } *TERSus*
1200
- } *TERSus*
2000



HEPA Replacement Components

- 4650** CMK500 Collar Mount Adaptor Kit for AC500
- 4620** RHF562 Replacement HEPA Filter for AC500
- 4610** ARK 564 Replacement HEPA Filter for AC500 (2)



Dehumidifier Replacement Filter Media

- 7143** MERV 11 9.75 x 11.75 x .75 For DH75
- 7144** MERV 11 11.75 x 11.75 x .75 For DH100
- 7133** MERV 11 11.75 x 11.75 x 1.75 For DH70
- 7134** MERV 11 13.375 x 13.375 x 1.75 For DH95



BREATHE HEALTHIER
GeneralAire®



Wholesaler / Contractor Contact Information

Our Indoor Air Quality Brands



Our Oil Filter Product Brands



General Filters, Inc.
43800 Grand River Avenue Novi, MI 48375
(866) 476-5101 www.GeneralFilters.com
Email Your PO to: wholesaleorders@generalfilters.com



Canadian General Filters, LTD
400 Midwest Road Toronto, ON M1P3A9 Canada
(888) 216-9184 www.CGFPproducts.com
Email Your PO to: sales@cgfproducts.com