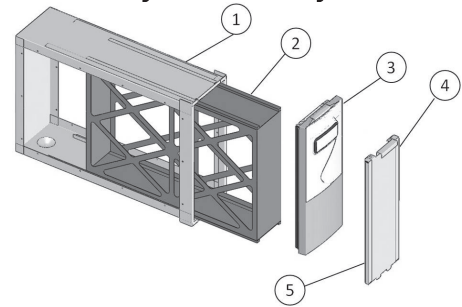


# Air Cleaner Replacement Parts



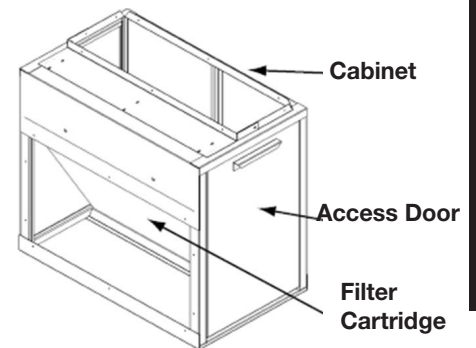
## MAC / MAC(M) Models 1200, 1400, 2000, 2020 NEW Models 2400G, 3000G NEW Models 2400P, 3000P



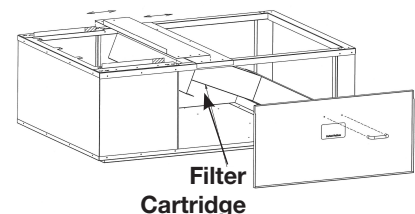
	Qty. Req'd	GFI #	Part Description	1200M	1400 + 2400	2000 + 3000	2020
1	1	4505	14001 Replacement Cabinet (Formerly 14003)			X	
	1	4515	14021 Replacement Cabinet (Formerly 14023)		X		
	1	4525	14031 Replacement Cabinet (Formerly 14033)	X			
	1	4555	14172 Replacement Cabinet				X
2	1	4501	5FM2025 MERV 10 Cartridge Media Replacement			X	
	1	4511	5FM1625 MERV 10 Cartridge Media Replacement		X		
	1	4521	3FM1625 MERV 8 Cartridge Media Replacement	X			
	1	4531	5FM2020 MERV 10 Media Replacement				X
	1	4541	6FM1625 MERV 11 Cartridge Media Replacement		X		
	1	4551	6FM2025 MERV 11 Cartridge Media Replacement			X	
3	1	4507	5MPD2025 Premium Plastic Access Door			X	X
	1	4517	5MPD1625 Premium Plastic Access Door		X		
4	1	4504	5MM02025 Metal Door			X	X
	1	4514	5MM01625 Metal Door		X		
	1	4524	3MM01625 Metal Door	X			
5	1	4506	27108 Door Seal			X	X
	1	4516	27151 Door Seal	X	X		

## MAC-L & Perfect Platform

Qty. Req'd	GFI #	Part Descriptions for MAC-L
1	15078	Cabinet Assembly
2	15093	Access Door
2	P208	Filter Seal 1.00 W x .75 H x 20.12 L
1	4501	5FM2025 MERV 10 20 x 25 x 5 Cartridge Media Repl.
1	4551	6FM2025 MERV 11 20 x 25 x 5 Media



Qty. Req'd	GFI #	Part Description for Perfect Platform
1	4551	6FM2025 MERV 11 20 x 25 x 5 Media



Air Cleaner Replacement Parts

1% 10 Days. Net 30 Days. F.O.B. Novi, Michigan \$3,000 Orders FFA

General Filters, Inc. 43800 Grand River Avenue Novi, Michigan 48375-1115 Toll Free (866) 476-5101 Fax (248) 349-2366 www.GeneralAire.com