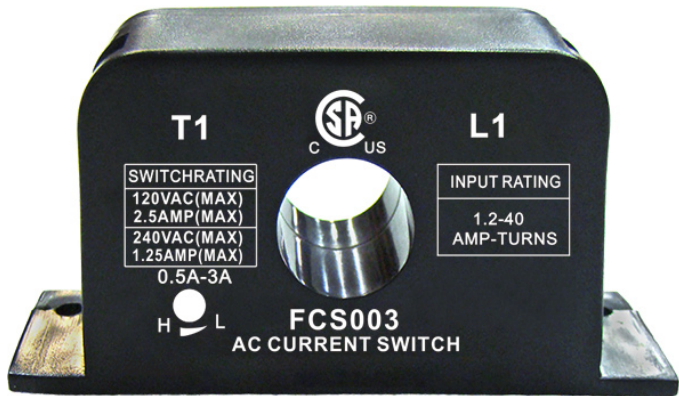


# ► Engineering Data



# PREMIERONE<sup>TM</sup>

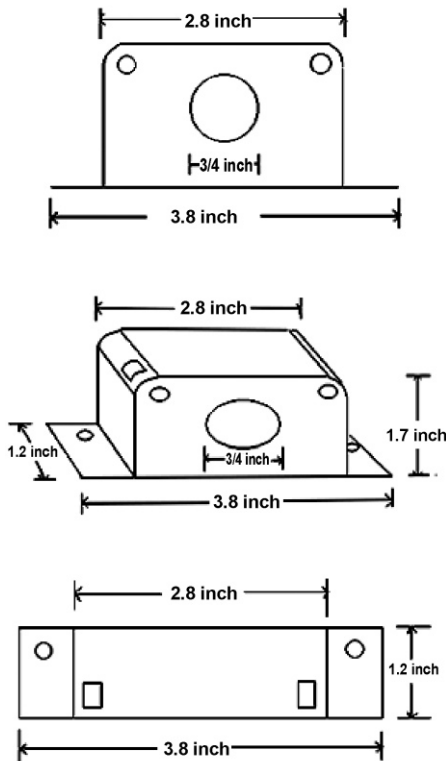
## Current Sensing Switch

Part number FCS003


Turn on and off any device 120 VAC that draws 2.5 amp or less or 240 VAC that draws 1.25 amp or less that is connected to the furnace.

The current sensing switch picks up on the AC load created by the furnace blower and switches on. The switch has an adjustment range from .5 to 2 amp.

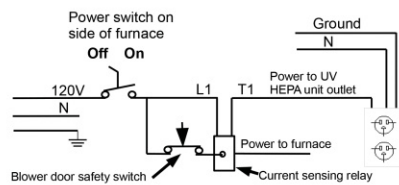
### Dimension



### SPECIFICATIONS

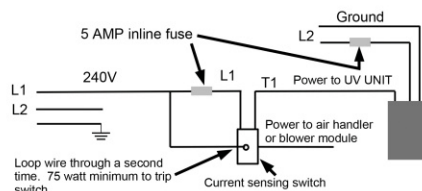
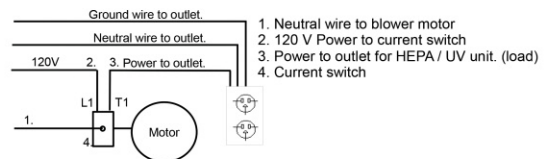
Active power:	Induced from monitored conductor
Amperage Rating :	0 to 200Amps continuous
Running Frequency:	45Hz to 65Hz
Isolation Voltage :	1000vac
Output Switch Rating :	Maximum 2.5A @ 120VAC Maximum 1.25 @ 240VAC
Adjustable to close switch:	.5 - 2.0 amp
Hysteresis (Dead Band) :	10% Setpoint, Typical
Aperture (Hole) Size :	0.75"
Din Rail Size :	45mm
Unit Weight :	0.1kg
Housing:	94v-o non-flammable black color ABS
Operating Temperature Range :	-25 to +75 c
Operating RH Range :	0 to 95% RH, non-condensing
16.Agency Approvals :	Approved to the UL standard 

### AC OR DC WIRING DIAGRAM



120 VAC

### AC ONLY WIRING DIAGRAM



240 VAC

