

TABLET OF CONTENTS

TITLE

1. INTRODUCTION
2. FEATURES
3. SPECIFICATIONS
4. PANEL DESCRIPTION
5. HUMIDITY AND AIR TEMPERATURE
MEASUREMENTS
6. BATTERY REPLACEMENT

1. INTRODUCTION

The digital Humidity & Temperature Meter & Wet Bulb Temperature Dew Point temperature has been designed to combine the functions of Humidity Meter, Temperature Meter, Wet Bulb Temperature and Dew point temperature.

It is an ideal Humidity & Temperature Meter Instrument with scores of practical applications for laboratorial, industrial, Engineer and professional use.

The Humidity & Temperature Meter is for use a humidity & temperature semiconductor sensor. This operation manual contains general information and specification.

2. FEATURES

- Fast Response Time %RH: 10S (90% at 25°C still air)
- High Accuracy
- Dew Point Temperature (-30°C~100°C/-22°F~212°F)
- Wet Bulb Temperature (0°C~80°C/32°F~176°F)
- Resolution 0.01%RH, 0.01°C/0.01°F
- Max Hold and Data Hold Function
- Micro Processor-based Design
- Dual Display Temperature & Humidity
- Auto Power Off, Disable Sleep Mode
- Backlight
- Mini Size
- Size (H*W*D): 225*45*34mm
- Weight: 200g

3. SPECIFICATIONS

Display: Large 4-1/2 dual digital LCD display with backlight

Sensor Type: A single chip relative humidity and temperature multi sensor module comprising a calibrated digital output.

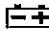
Response Time: %RH:10S (90% at +25°C still air)

Accuracy Note: Accuracy is specified for the following ambient temperature range: 64 to 82°F (18 to 28°C)

Sampling Rate: 2.5 samples per second

Polarity: Automatic, (-)negative polarity indication.


Over-range: "OL" mark indication.

Low Battery Indication: The "  " is displayed when the battery voltage drops below the operating level.

Operating Conditions: 32 to 104°F (0 to 40°C); < 80% RH non-condensing

Storage Conditions: 14 to 140°F (-10 to 60°C); <80% RH non-condensing

Auto Power Off: Meter automatically shuts down after approx.15 minutes of inactivity (Sleep Mode)

To override Auto Power Off function (Non-Sleep Mode): Firstly press hold/backlight button, then press power button. After the full display appears, release both buttons. Icon "  " will not shown on the LCD. The unit will not auto power off now.

Power: One standard 9V, NEDA1604 or 6F22 battery.

Dimensions/Wt.: 225 (H) x 45 (W) x 34 (D) mm/200g

Humidity / Temperature Measurement Range:

Humidity: 0%~100%RH

Temperature: -30°C~ 100°C, -22°F~ 212°F

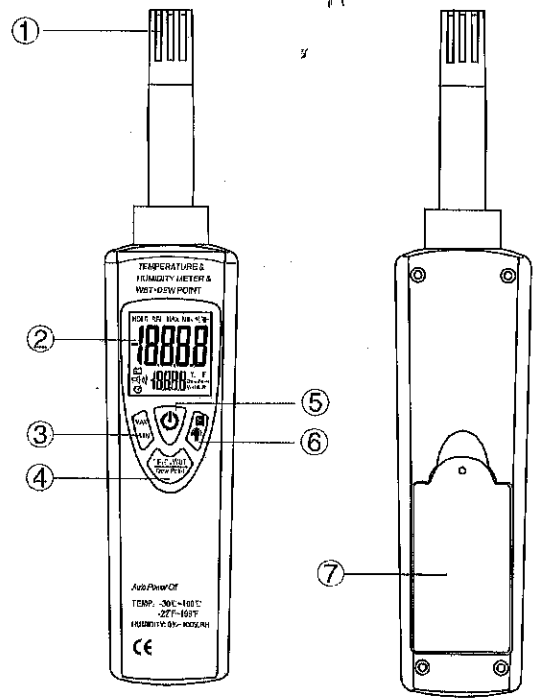
Resolution : 0.01% RH, 0.01°C/°F.

Humidity Accuracy: ± 2%RH (at 25°C, 20%~80% RH).
± 2.5%RH (at other ranges)

Note: The measuring range is from 0% to 100%, but above 80% and below 20% the deviation is not specified.

Air Temperature Accuracy: ± 0.5°C/± 0.9°F (at 25°C)
± 0.8°C/± 1.5°F (all other ranges)

4. PANEL DESCRIPTION



- ① **Humidity / Air Temperature Probe** : Humidity & and Temperature Semiconductor Sensor inside.
- ② **LCD Display**: 4-1/2 dual digits LCD display with units of °C, °F, %RH dew point, wet bulb and low battery "BAT" MIN /MAX HOLD, indication.
- ③ **MAX/ MIN Button**: Press MAX/MIN button to enter MAX, MIN Recording mode (manual range only). Select the proper range before selecting MAX MIN to ensure that the MAX/MIN reading will not exceed the testing range. Press once to select MIN. Press again to select MAX. Press and hold the Button for over 2 second to turn off MAX, MIN Recording.
- ④ **°F, °C, Dew Point, Wbt Select Button**: Press °F, °C, Dew Point, Wbt select Button to enter select °F, °C, Dew Point, Wet Bulb Measurement.
- ⑤ **Power ON/OFF Button**: Turn the meter power ON/OFF.
- ⑥ **HOLD /Backlight Button**: Press Hold/backlight Button to enter hold function. The reading will be held when Data Hold button is pressed.
Press Hold/backlight Button for over 2 seconds to turn on or off backlight function.
- ⑦ **Battery Compartment**

5. HUMIDITY AND AIR TEMPERATURE MEASUREMENTS

1. Hold the probe in the area to be tested & allow adequate time for readings to stabilize.
2. Press °F, °C, dew point, WBT select Button to enter select °F, °C, dew point Wet Bulb Measurement.
3. Read the Relative Humidity and Air Temperature, dew point temperature wet bulb temperature.

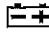
NOTE:

Do not immerse the probe in liquid; it is intended for use in air only.

Warning:

Don't expose the sensor to direct sunlight (in solution).
Don't touch or manipulate the sensor.

6. BATTERY REPLACEMENT

If the sign "  " appears on the LCD display, it indicates that the battery should be replaced. Open the battery case and replace the exhausted battery with new battery. (1 x 9V battery NEDA 1604, 6F22 or equivalent).